

## HP 3,2

High power for double-sided Light cabinet

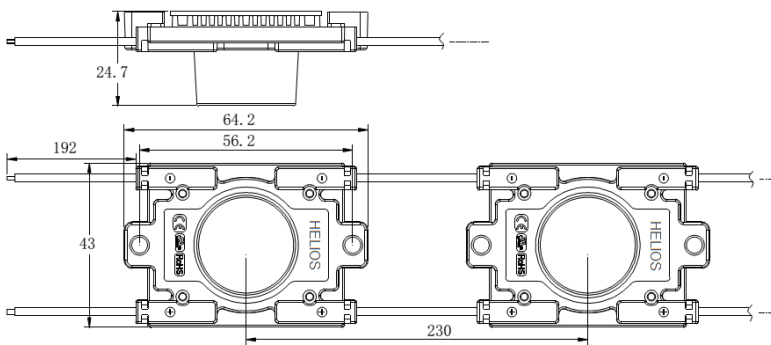
### BEST FEATURES

- DESIGNED TO ILLUMINATE **DOUBLE-SIDED LIGHT CABINETS**
- **HIGH POWER LED**
- **DOUBLE ANGLE OF RADIATION**
- **EVEN ILLUMINATION STARTING FROM 150 mm CAN DEPTH**
- **CONSTANT CURRENT DRIVING MODE**
- **INSTALLATION BY 1 MODULE**
- **IP65 INGRESS PROTECTION**

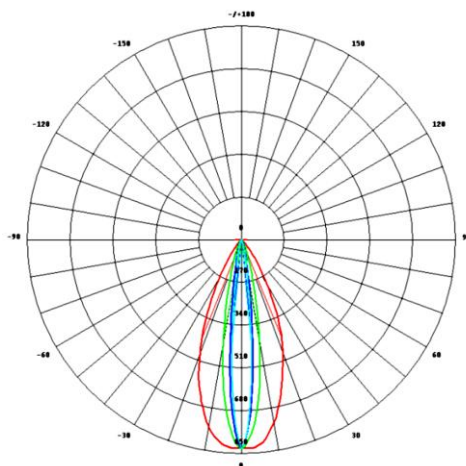


RECOMMENDED DEPTH FOR LIGHT CABINETS.....150 mm – 250 mm

**DIMENSIONS:** units in mm



### INTENSITY DISTRIBUTION CHART



### SPECIFICATIONS\*:

Part number.....HP 3.24  
 Input voltage.....12V DC  
 Power consumption (typical).....3.24 Watt  
 Drive current.....270 mA  
 LED package.....3535  
 Housing.....PC + PVC

Lm per module (typical)..... 270 lm  
 Viewing angle .....12° x 47°  
 CRI (minimal)..... 75

Available colors  
 Daylight white.....7,000 K

Max. allowed quantity in series.....15 pcs  
 Lead wire.....20 AWG

Ingress protection.....IP 65  
 Operating temperature .... - 25°C to +60°C

Meets the following standards:  
 EN 55015:2006+A1+A2  
 EN 61547:2009;  
 EN60598  
 RoHS;  
 TUV EN60598-1:2008+A11 (IP TEST)

Packaging  
 Tray.....60 pcs  
 Master box .....240 pcs  
 Master box G.W. ....15,4 kg

\*Technical data is subject to change without notice

Latvia  
 SIA "TAMARS" (office & warehouse)  
 Reģ. Nr.: 43603036217  
 Adrese: 20 Braslas iela, Offis 115  
 Rīga, LV-1084, Latvija  
 Tel.: +371 67040635  
 E-mail: info@ledunicom.lv  
 www.ledunicom.lv

Belarus  
 KIMIX LTD. (office & warehouse)  
 VAT No. 100006365  
 Legal address: 15 Zhilunovich str. off. 310  
 Minsk, BY-220026, Belarus  
 Tel.: +375 172950901  
 E-mail: info@kimix.by  
 www.kimix.by

Russia  
 ООО «ХЕЛИОС ЛЕД»  
 ИНН. 6732077309  
 Адрес: 21А Ул. Багратиона.  
 Смоленск, RU- 214025, Россия  
 Тел.: +79267581371  
 E-mail: Yurchenko@helios-led.com  
 www.helios-led.com